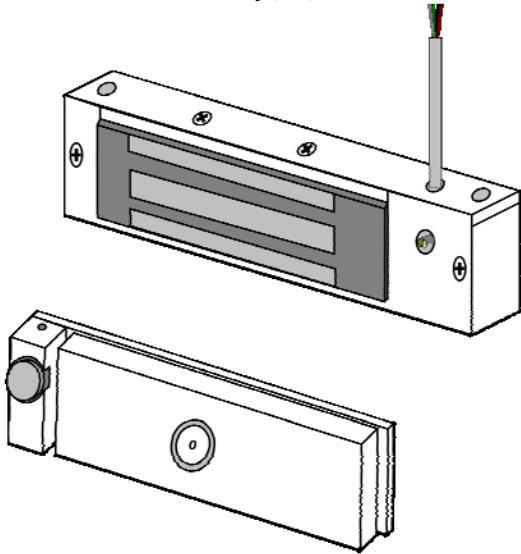


Dortronics 301 Electro-Magnetic Lock

Part # A41012900



Description:

The Dortronics electro-magnetic lock is an instantaneous door control for light, narrow, or interior doors in supervised security concern areas and general traffic control systems. The lock coil is combined with a delayed egress trigger switch for ultimate facility safety. Steady, even pressure applied to the door can signal the Delayed Egress Input of any Secure Care Products, Inc. Exit Panel to allow for emergency exit. The Dortronics Lock is intended to be mounted on outswinging doors for use with a Secure Care Products, Inc. Exit Panel and complies with the NFPA 101 Life Safety Code as follows:

The lock will release within 15 seconds whenever a force of not more than 15 pounds is applied to the door for not more than 0, 1, 2, 3 seconds. The delayed egress activation time is selectable through programming on the Exit Panel. There shall be indication at the door that the delayed egress cycle has been activated. After the door has released, a manual reset signal shall be applied to the controller to relock the magnet (when used with the Latching Delayed Egress software feature).

Features:

- ◆ Brushed Aluminum Housing
- ◆ Compact, Efficient, Easy to Install and Align
- ◆ 650 lbs. of Holding Force
- ◆ Shallow 2" Profile Provides Greater Headroom and Mounting Stability
- ◆ Low Economical Current Draw
- ◆ UL294 Listed Access Control System

Mechanical Specifications:

Standard Finish	Brushed Aluminum Housing
Overall Outside Dimensions	8.25"L X 1.32"W X 2.28"H
Holding Force	650lbs. @ 12V DC

Electrical Specifications:

Input Power	12 VDC, 1 Amp Power Supply
Delayed Egress Trigger Switch	Normally Open Max. 5 Amps @ 250 VAC

Optional Equipment:

Dortronics Lock Assembly	A41012900
Lock Power Supply (12VDC/1 Amp)	A41010901
Dortronics Lock Replacement Egress Switch (Roller Rocker Style for Newer, More Narrow Locks)	A41010913
Dortronics Lock Replacement Egress Switch (Push Button Style for Older, Wider Locks)	C51000002
Dortronics Armature Assembly	P41010913
Dortronics 1200 lb. Lock	P41010920
Dortronics Gate Lock w/Delayed Egress	P41010921
Dortronics Filler Plate 1/4"	M41010201
Dortronics Filler Plate 3/8"	M41010202
Dortronics Filler Plate 1/2"	M41010203

California State Fire Marshall Listing

This product has been approved by the California State Fire Marshal (CSFM) pursuant to Section 13144.1 of the California Health and Safety Code. See CSFM Listing No. 3625-2066:0101 for allowable values and/or conditions for use concerning material presented in this document." Listing can be viewed following this link:

http://osfm.fire.ca.gov/licensinglistings/licenselisting_bml_searchcotest.php